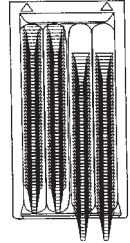
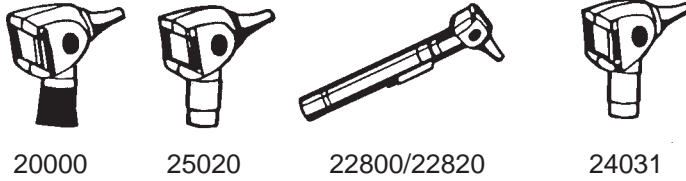




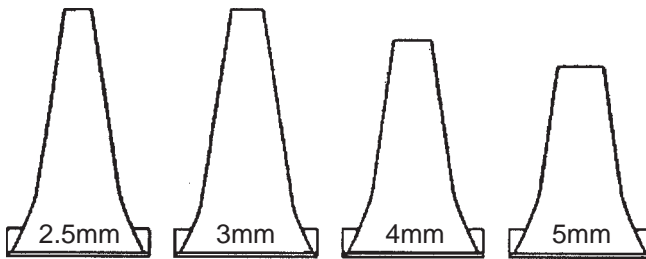
**DISPOSABLE OTOSCOPE SPECULA**

**Hospital/Physician Price List  
October 1, 2008**



**Diagnostic (twist-on) style, 1000s, 20 tubes of 50**

W-A Price:  
\$38.00  
**OUR PRICE**  
\$28.80

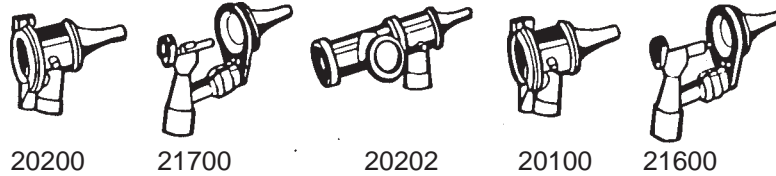


**Size:**  
**Cat. No.**  
**W-A Cat. No.**

2.5mm	3mm	4mm	5mm
7250	7300	7400	7500
NONE	NONE	NONE	NONE

**\*7000 WALL DISPENSER**  
resuable/disposable  
(includes 1 wall bracket)  
5pack \$15.30

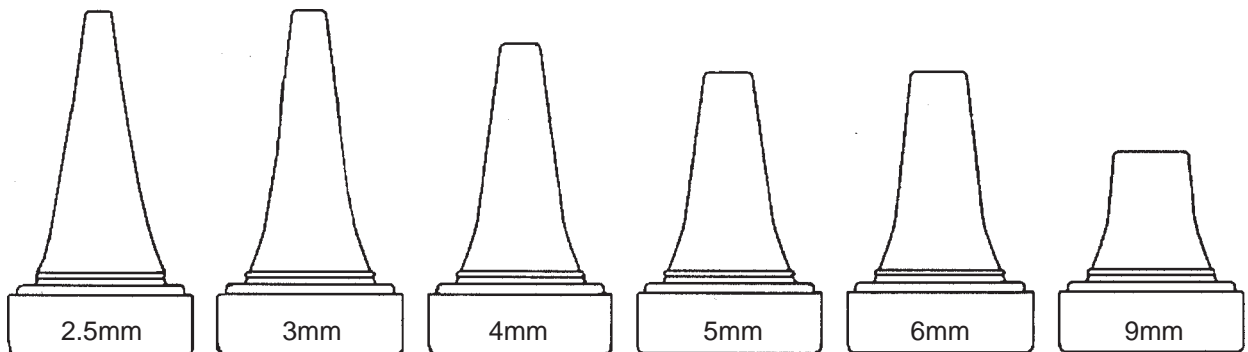
**7111 WALL BRACKET**  
FREE - Request Quantity



**\*7777 WALL DISPENSER**  
resuable/disposable  
(includes 1 wall bracket)  
5pack \$15.30

**Operating & Consulting style, 500s, 20 tubes of 25**

W-A Price:  
\$32.00  
**OUR PRICE**  
\$26.55



**Size:**  
**Cat. No.**  
**W-A Cat. No.**

2.5mm	3mm	4mm	5mm	6mm	9mm
7225	7333	7444	7555	7666	7999
NONE	52133	52134	52135	NONE	NONE

**7111 WALL BRACKET**  
FREE - Request Quantity

**Minimum Order: 2 pk**  
**All S/H: \$10.00**

**Terms: NET 30 DAYS ARO**

**SpecLine** 361 Haynes Road, Dyersburg, TN 38024

731/286-4211 • FAX: 731/286-0213 • 800/468-9276 • www.OTREC.com